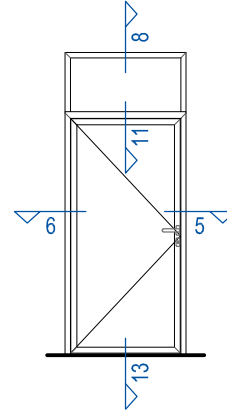
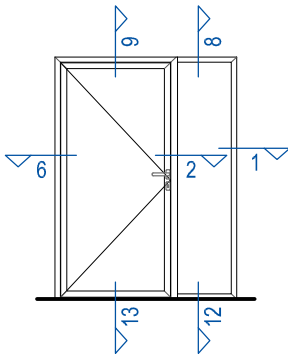


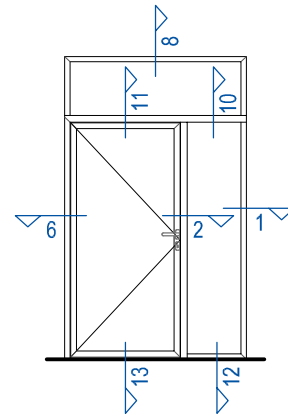
S1 Single Door



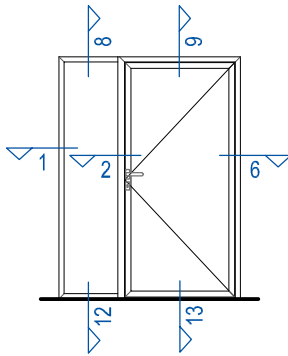
S2 Single w/ transom



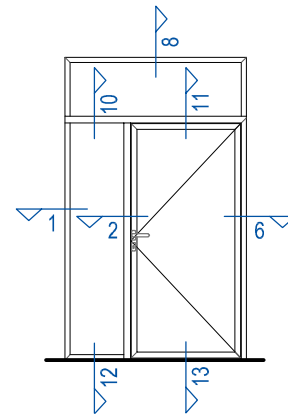
S3 Single w/ sidelite right



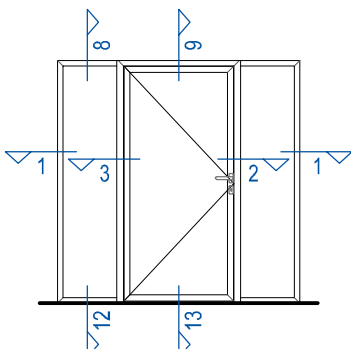
S4 Single w/ sidelite right + transom



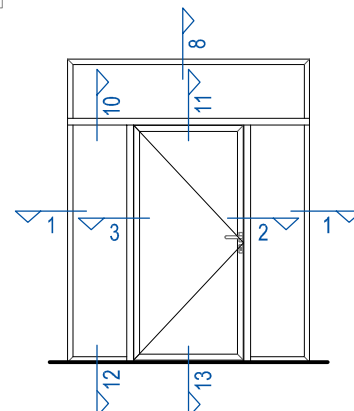
S5 Single w/ sidelite left



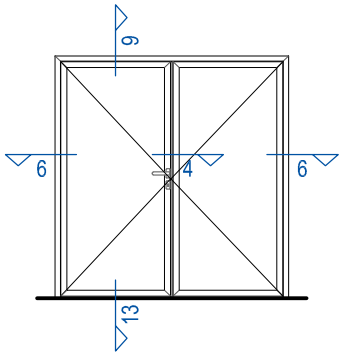
S6 Single w/ sidelite left + transom



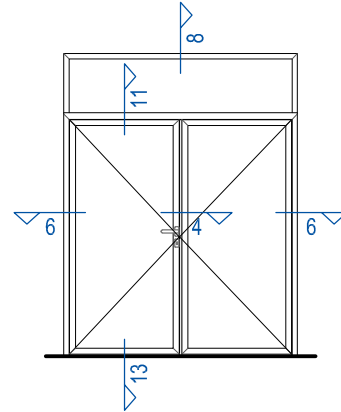
S7 Single w/ sidelite each side



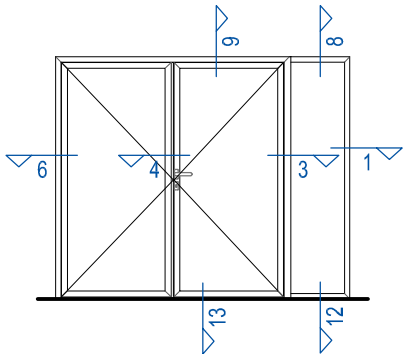
S8 Single w/ sidelites + transom



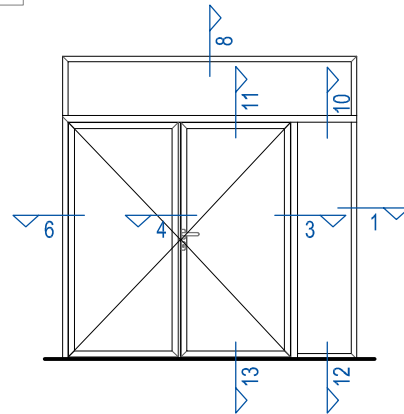
D1 Double Door



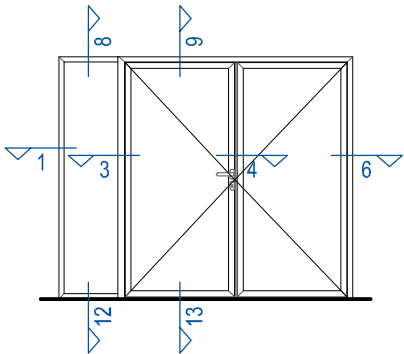
D2 Double w/ transom



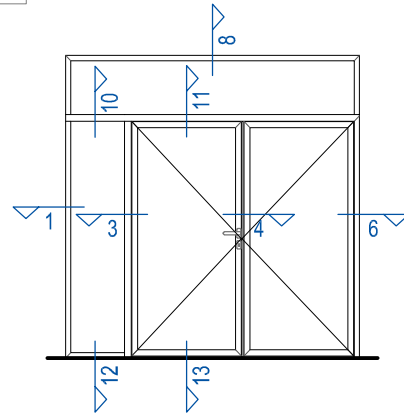
D3 Double w/ sidelite right



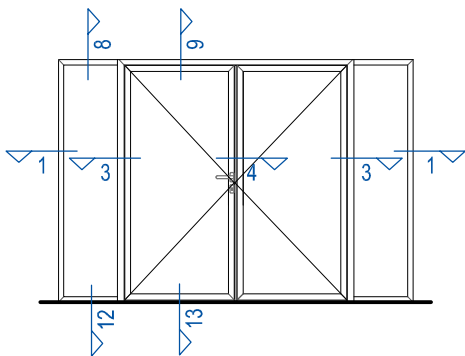
D4 Double w/ sidelite right + transom



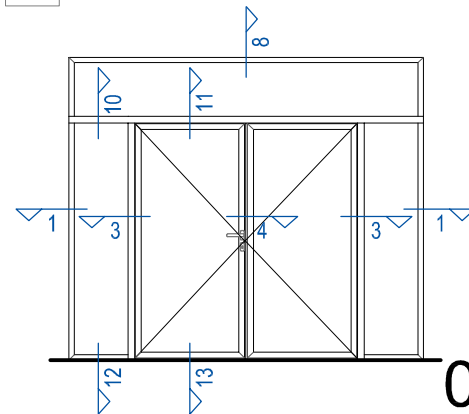
D5 Double w/ sidelite left



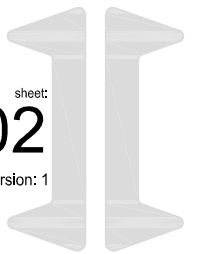
D6 Double w/ sidelite left + transom

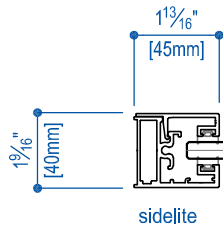


D7 Double w/ sidelite each side



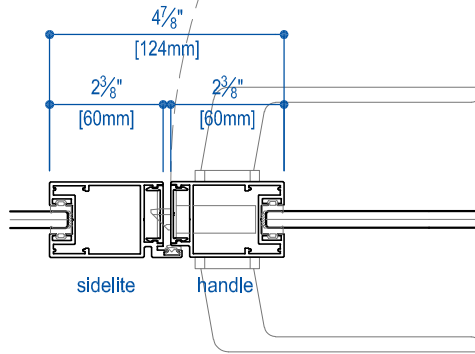
D8 Double w/ sidelites + transom





sidelite

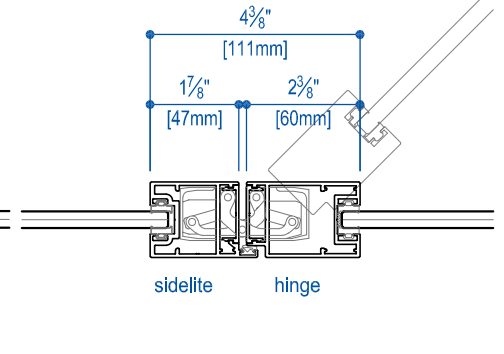
1 Sidelite Jamb



sidelite

handle

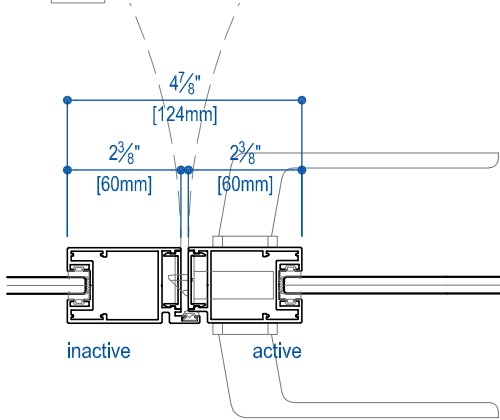
2 Handle-to-Sidelite



sidelite

hinge

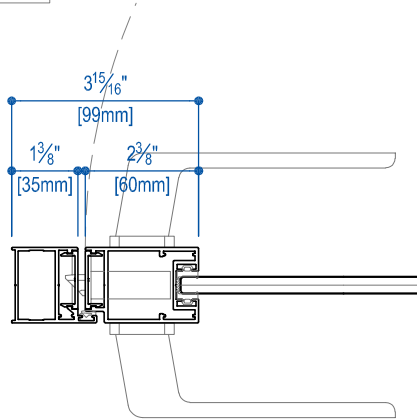
3 Hinge-to-Sidelite



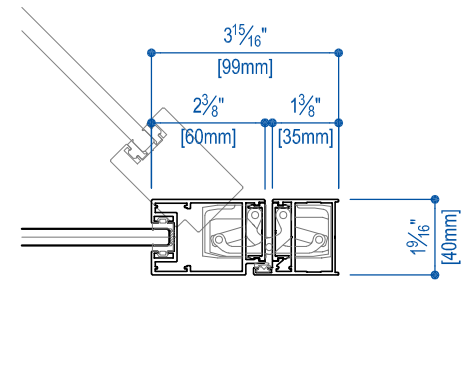
inactive

active

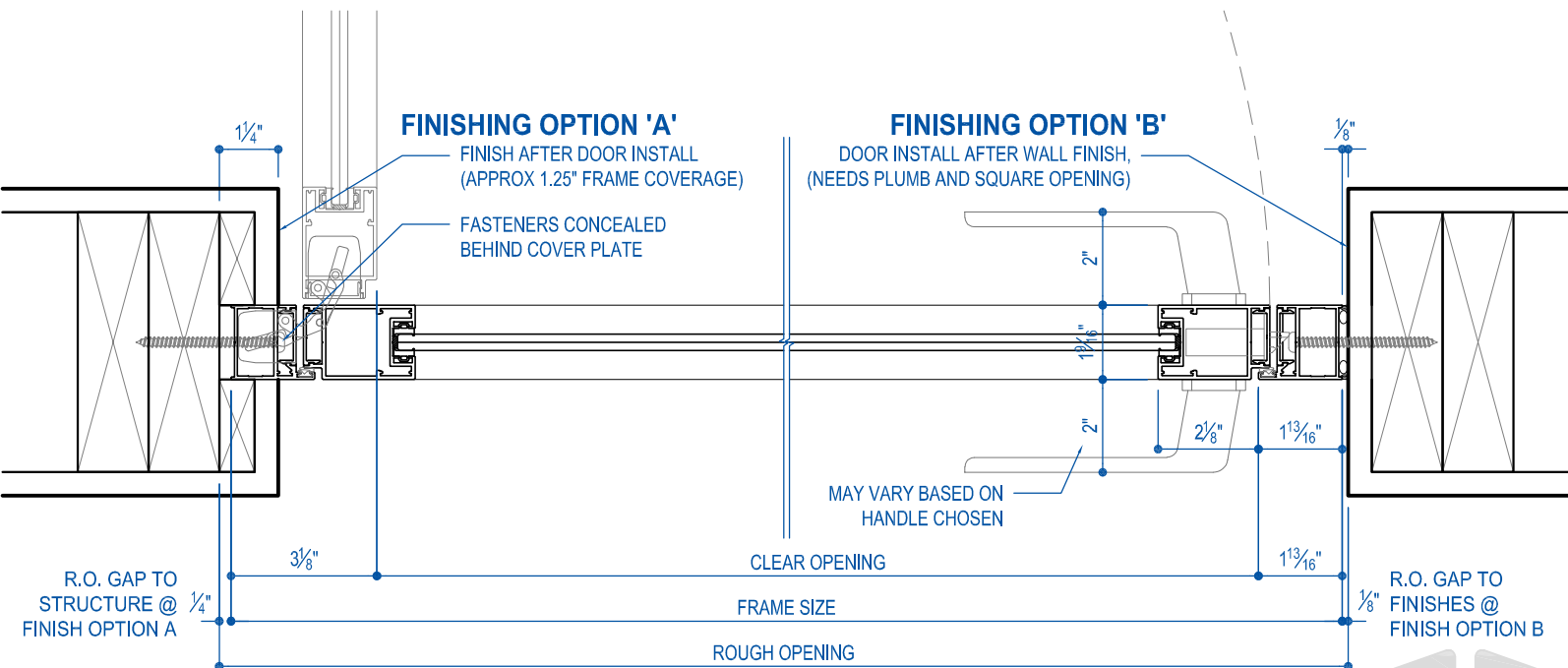
4 Meeting of Double Doors



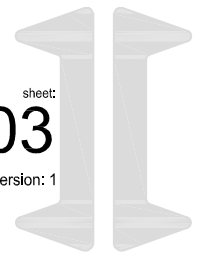
5 Handle Jamb

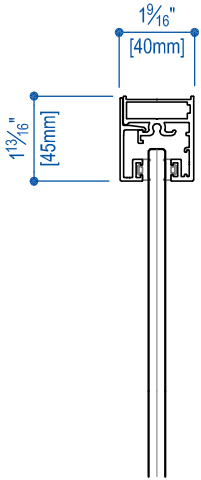


6 Hinge Jamb

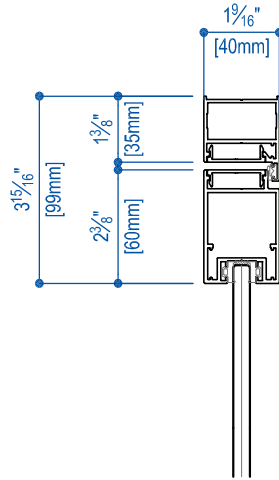


7 Door install example

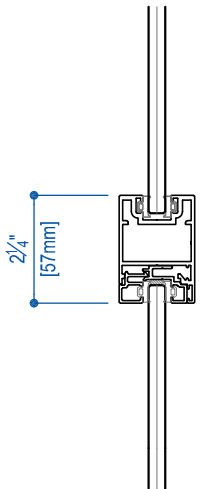




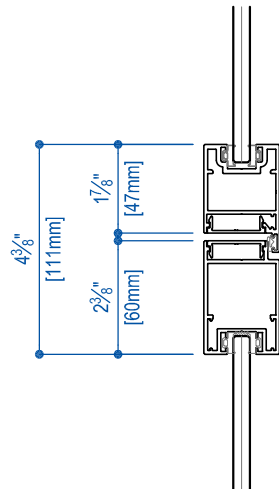
8 Transom Head



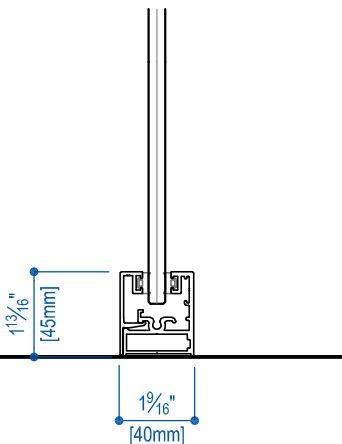
9 Door Head



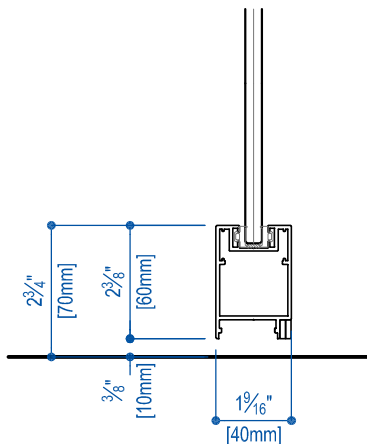
10 Sidelite-to-Transom



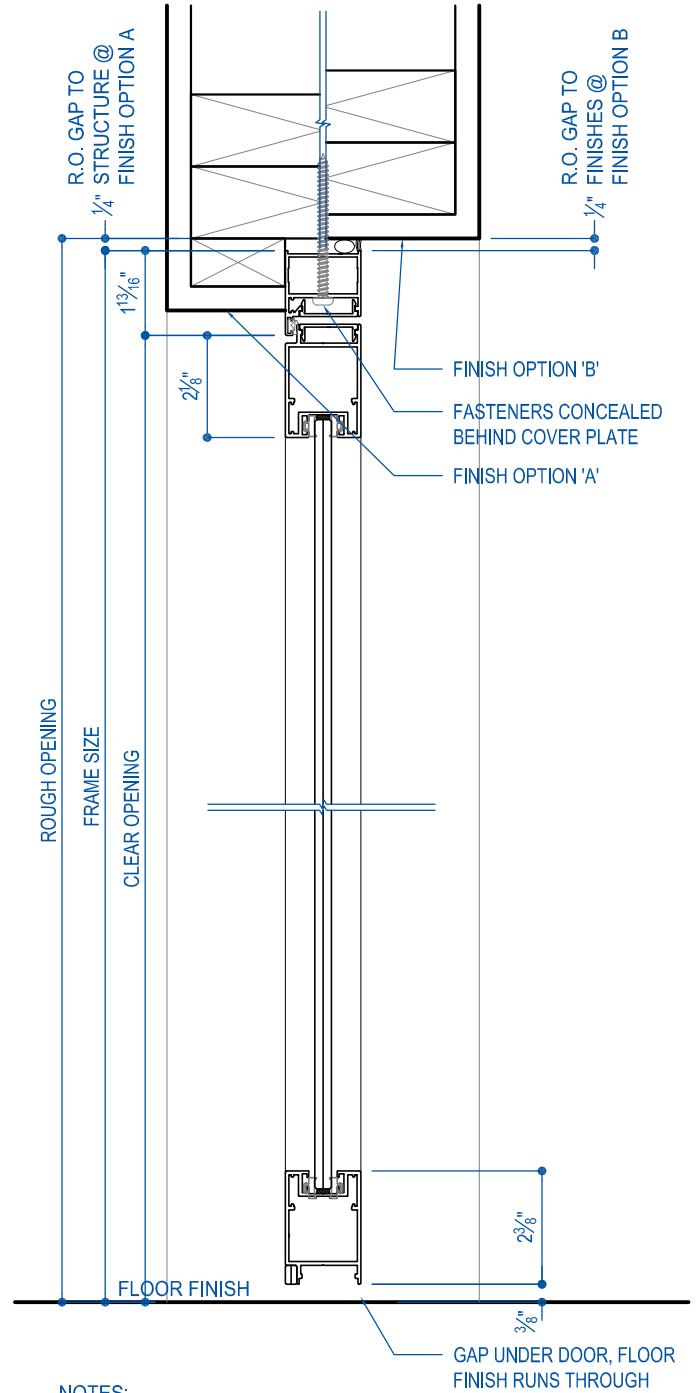
11 Door-to-Transom



12 Sidelite Sill



13 Door Bottom



14 Door Install Example

**NOTES:**

- ALSO SEE DETAILS ON SHEET 3
- DETAILS MAY VARY DEPENDING ON FRAME CONFIGURATION
- ALLOW ROOM FOR DEFLECTION OF THE STRUCTURE ABOVE THE DOOR IF NECESSARY
- DOORS MAY BE INSTALLED INTO STRUCTURAL OPENING OR A FINISHED OPENING. "ROUGH OPENING" DIMENSIONS AND THE GAP TOLERANCE BETWEEN THE FRAME AND OPENING MAY VARY BASED ON INSTALL / FINISH METHOD CHOSEN.